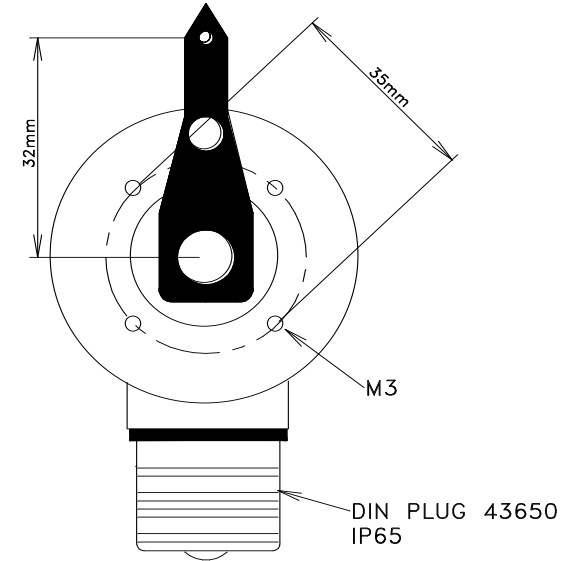
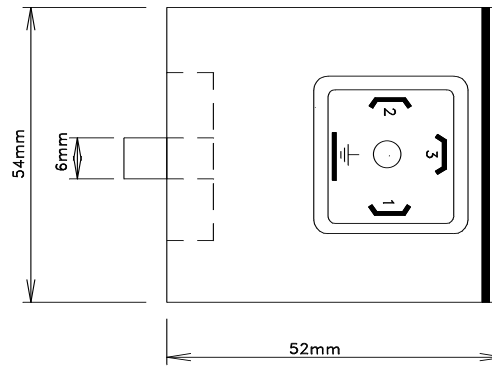
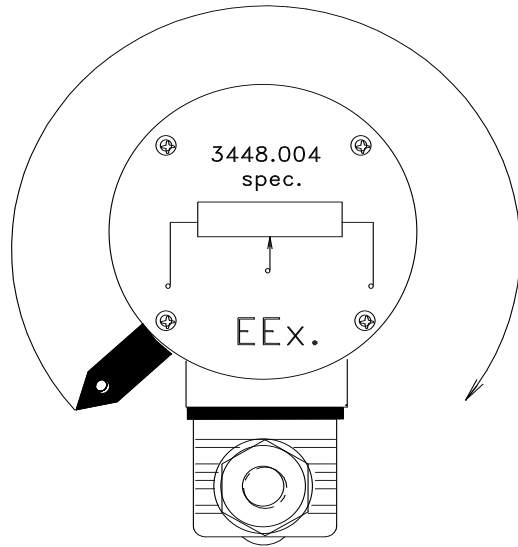


ABSOLUT ANGLE POSITION SENSOR TYPE ME8909Ex



- * Absolut angle position sensor/ transmitter ME8909-R/L is designed specially for use in refrigeration compressors to detect position of capacity or volume pistons.
- * The sensor is a conductiv plast potentiometer with endless lifetime (min. 50.000.000 cycles).
- * The sensor house is aluminium for best possible EMC characteristics. PCB + sensor is sealed/potted in a PUR compound.
- * The sensor type is Conductive plastic with a resistance on 5Kohm.
- * The life cycles is min. 50.000.000 rotations.

Note:
Change of measuring direction from right to left, exchange wire 51 & 54.
(VMY Compressors is left type)

Hazardous - Area Ex-Zone
SAB Compressors
Part no 3448.004 spec. Ex
(Measuring right direction)

Ex APPROVAL acc. to PReTrans type 5116B:

ATEX, cULus LISTED, FM APPROVED

SPECIFICATIONS:

Power rating:..... Max 1W.
 Measuring angle:..... 0-340°grd.
 Mechanical rotation:..... 360grd. continuous.
 Output:..... Ohmic, 5Kohm, +/-20%.
 Resolution:..... Endless.
 Linearity:..... Better than +/-1% FS.
 Temp. range:..... -20 to +85degr.C.

