

F-gas Level Sensor

Category: HBLC-Fgas / HBLC-Fgas-LED



Functional description:

HBLC-Fgas is complying with the global HFC phasedown and the F-gas regulations

HBLC-Fgas-xxx* is a new range of level sensors for HFC applications making it possible to comply with the strict F-gas regulations. The sensor is available in several lengths and available with simple 4-20 mA output signal as well as a more advanced version with 3 digit LED display. Made for easy installation directly in receivers.

By using this sensor you will be able to add to the level of safety in your entire application as it not only senses the actual level but as well gives an alarm output (PNP NO/NC)



HBLC-Fgas-LED sensor with digital display mounted on vertical liquid receiver

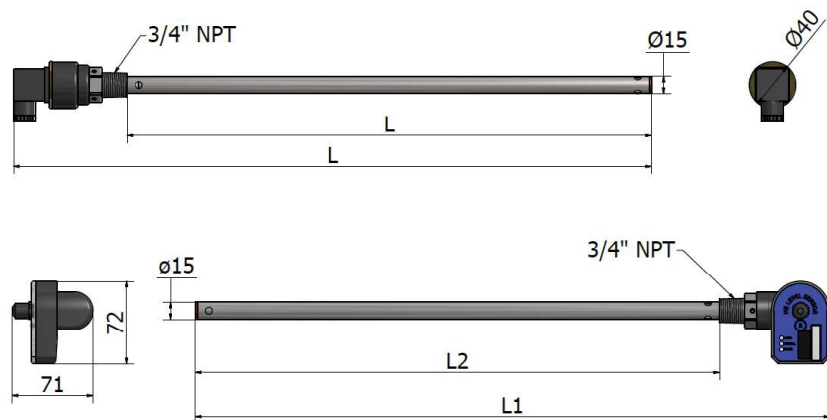
Technical data – HBLC-Fgas Level Sensor

Power supply		Mechanical Specifications	
Supply	24 V AC/DC ±10%	Thread connection	¾" NPT
Max current consumption	Max 30 mA	Materials - mechanical parts:	AISI304/PTFE
Plug	DIN 43 650 MV PLUG	Materials - electronic parts:	Nylon 6 (PA)
		Dimensions	See drawing
		Installation conditions:	
Output		Ambient temperature	-30...+50°C
Analog output	4-20 mA	Refrigerant temperature	-60...+80°C
LED indication	Green	Max. operational pressure:	100 bar
		Protection degree	IP67
		Vibrations	IEC 68-2-6 (4g)
Approvals			
EMC Emission:	EN61000-3-2		
EMC Immunity:	EN61000-4-2		

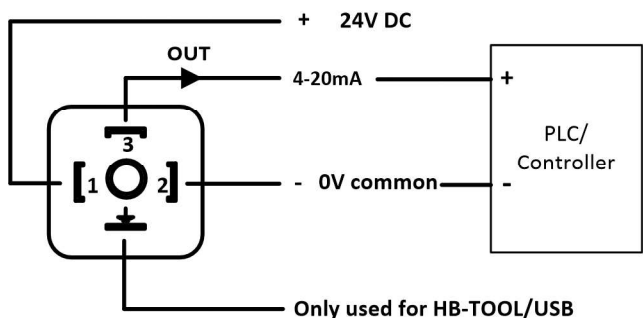
Technical data – HBLC-Fgas-LED Level Sensor

Supply		Mechanical Specifications	
Supply:	24 V AC/DC ±10%	Thread connection	¾" NPT
Max current consumption	Max 50 mA	Materials - mechanical parts:	AISI 304 / PTFE
Plug	M12, 5 pins - DIN 0627	Materials - electronic parts:	Nylon 6 (PA)
		Housing design	Angle
		Dimensions	See drawing
Output		Installation conditions:	
Analog output	4-20 mA	Ambient temperature	-30...+50°C
Alarm output	1A (24V DC)	Refrigerant temperature	-60...+80°C
LED indication	Green, yellow, and red	Max. operational pressure:	100 bar
Cable specification		Protection degree	IP65
Supply cable, 5 meters	HBxC-M12/5	Vibrations	IEC 68-2-6 (4g)
Cable size	PUR - 5 x 0,34 mm ²		
Approvals			
EMC Emission:	EN61000-3-2		
EMC Immunity:	EN61000-4-2		

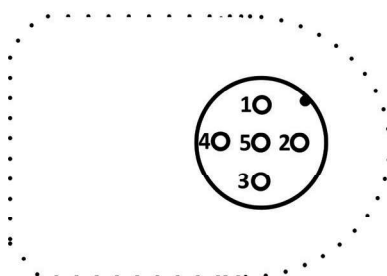
Mechanical dimensions



Electrical installation (HBLC-Fgas)



Electrical installation (HBLC-Fgas-LED)



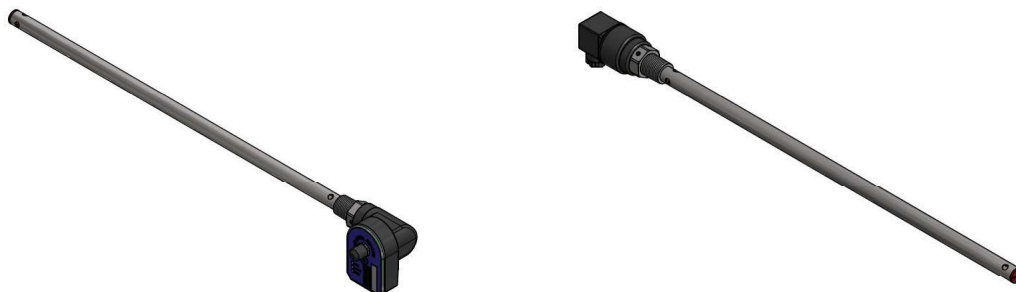
Supply 24V AC/DC

- 1 = Brown – Power supply +
- 2 = White - Power supply -
- 3 = Blue - DO, Alarm, PNP, 1A
- 4 = Black - AO, Level output, 4-20mA
- 5 = Grey - Not in use (data only)

Ordering codes

Length	Thread type	Ordering code
315 mm	Thread: 3/4" NPT	HBLC-Fgas-3.2-2
441 mm	Thread: 3/4" NPT	HBLC-Fgas-4.4-2
566 mm	Thread: 3/4" NPT	HBLC-Fgas-5.7-2
602 mm	Thread: 3/4" NPT	HBLC-Fgas-6-2
762 mm	Thread: 3/4" NPT	HBLC-Fgas-7.6-2
816 mm	Thread: 3/4" NPT	HBLC-Fgas-8.2-2
882 mm	Thread: 3/4" NPT	HBLC-Fgas-8.9-2
1152 mm	Thread: 3/4" NPT	HBLC-Fgas-11.5-2
315 mm	Thread: 3/4" NPT	HBLC-Fgas-3.2-2-LED
441 mm	Thread: 3/4" NPT	HBLC-Fgas-4.4-2-LED
566 mm	Thread: 3/4" NPT	HBLC-Fgas-5.7-2-LED
602 mm	Thread: 3/4" NPT	HBLC-Fgas-6-2-LED
762 mm	Thread: 3/4" NPT	HBLC-Fgas-7.6-2-LED
816 mm	Thread: 3/4" NPT	HBLC-Fgas-8.2-2-LED
882 mm	Thread: 3/4" NPT	HBLC-Fgas-8.9-2-LED
1152 mm	Thread: 3/4" NPT	HBLC-Fgas-11.5-2-LED

Spare parts



Length	Thread type	Ordering code
Mechanical parts		
315 mm	Thread: 3/4" NPT	HBLC-Fgas-3.2-2-MEK
441 mm	Thread: 3/4" NPT	HBLC-Fgas-4.4-2-MEK
566 mm	Thread: 3/4" NPT	HBLC-Fgas-5.7-2-MEK
602 mm	Thread: 3/4" NPT	HBLC-Fgas-6-2-MEK
762 mm	Thread: 3/4" NPT	HBLC-Fgas-7.6-2-MEK
816 mm	Thread: 3/4" NPT	HBLC-Fgas-8.2-2-MEK
882 mm	Thread: 3/4" NPT	HBLC-Fgas-8.9-2-MEK
1152 mm	Thread: 3/4" NPT	HBLC-Fgas-11.5-2-MEK
Electronic parts		HBLC-Fgas-EL
		HBLC-Fgas-EL-LED